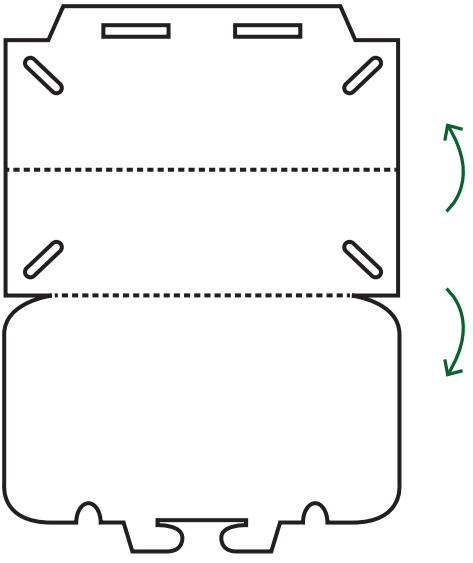


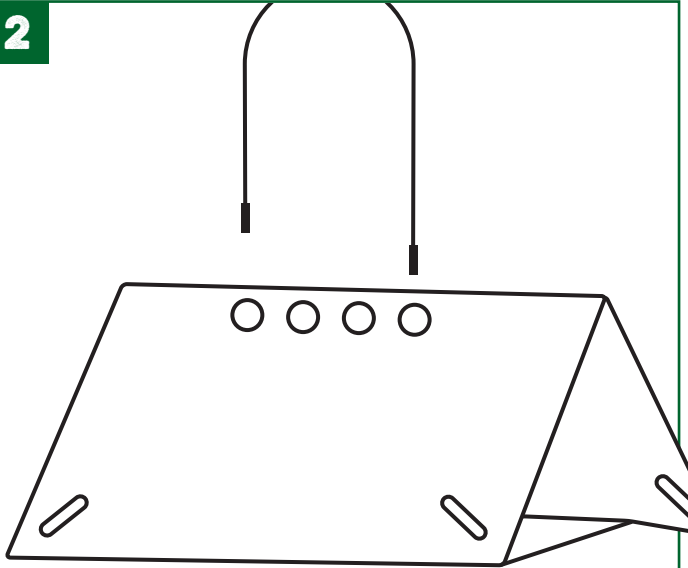
HOW TO ASSEMBLE THE GROCHEM DELTA TRAP WITH PRO CAPS

1



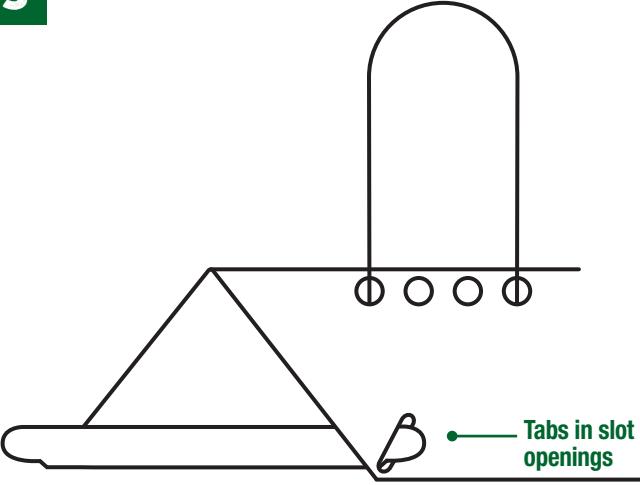
Remove all six perforated slot openings then fold creases inwards and insert bottom tabs into top slot.

2



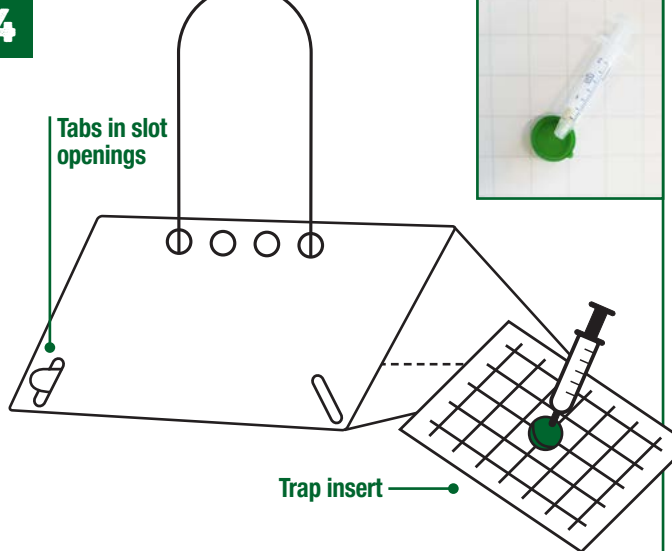
Insert tie into two of the four holes.

3



Bend along crease and guide inward until tabs sit in slot openings on one side only.

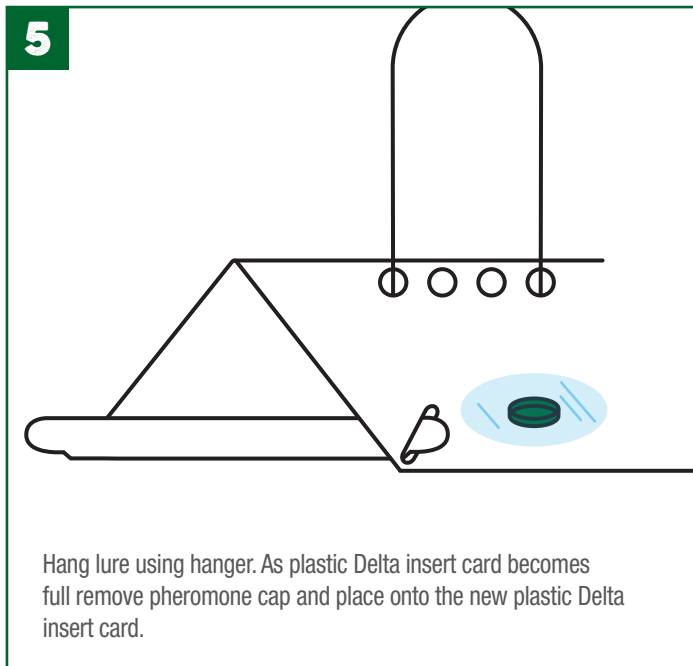
4



Place green cap face up on adhesive side of plastic delta insert card and dispense full contents of syringe into the cap. Slip the sticky insert into the trap body from the open side. Repeat step 3 for open side.

Continued —▶

HOW TO ASSEMBLE THE GROCHEM DELTA TRAP WITH PRO CAPS



Rate of Application

How to use the Grochem Delta Trap

2-4 traps/ha or 1 trap / 500m² in greenhouse for monitoring.
Suspend the trap on a stake approximately 30 cm above the crop.

Sticky Insert

Should be replaced when necessary after crop monitoring, depending on pest pressure.

M2I Pro Caps

Should be replaced every 6-8 weeks.

COMPLETED TRAP



Storage: Pro Caps

M2I Pro Caps should be stored in its sealed pouch at room temperature or kept cool.

Shelf life: 2 ½ years

Handling

M2I Pro caps are non-hazardous/non-toxic.

The pheromone gel should be release from the syringe into the green cap provided without contaminating the gel.

For more information, contact your local grochem representative

grochem.com
for all enquiries 1800 777 068