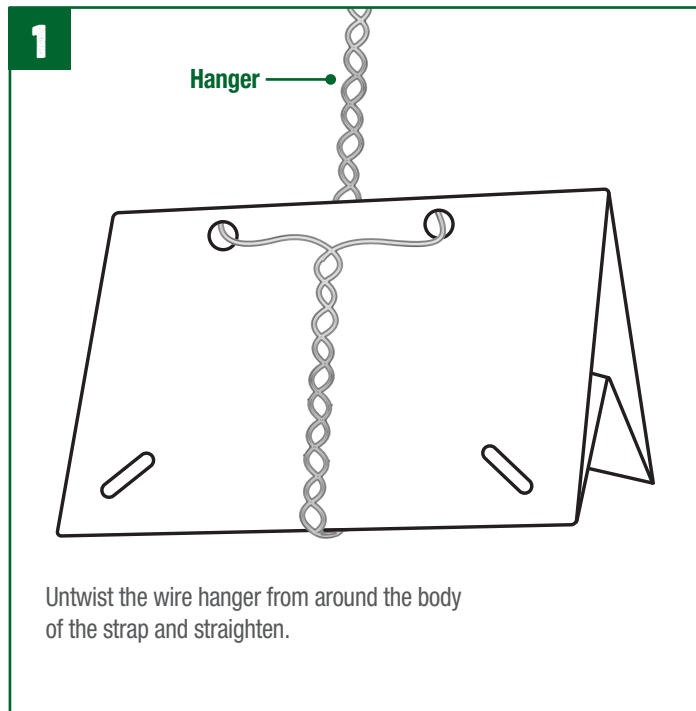


HOW TO ASSEMBLE THE SCENTRY LP DELTA TRAP

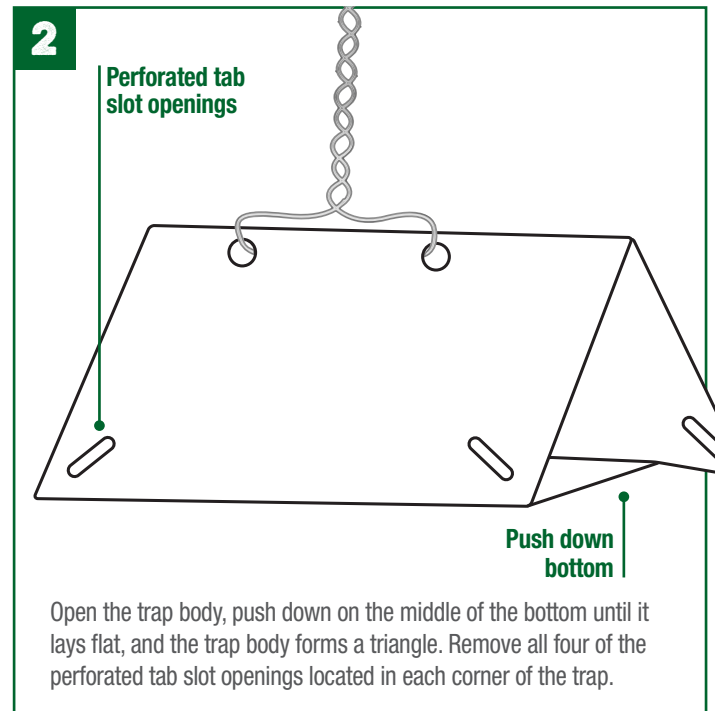
1



Hanger

Untwist the wire hanger from around the body of the strap and straighten.

2

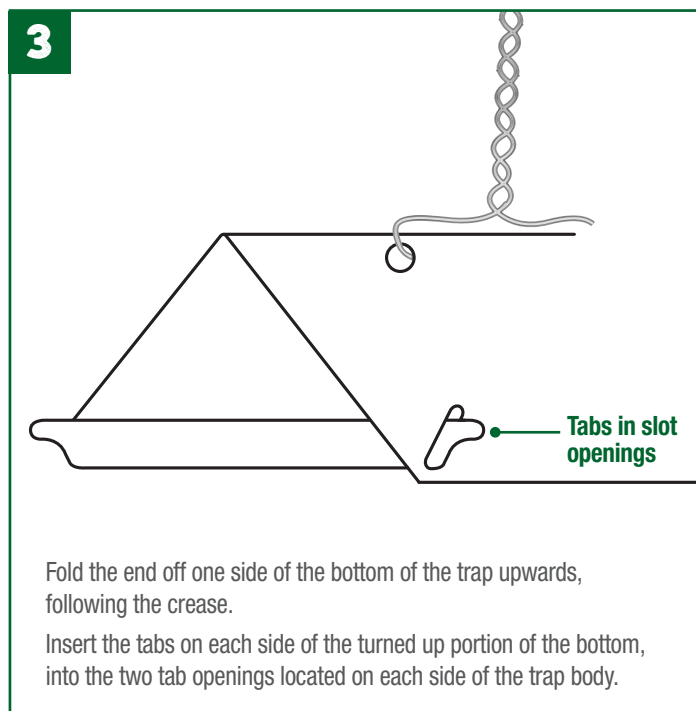


Perforated tab slot openings

Push down bottom

Open the trap body, push down on the middle of the bottom until it lays flat, and the trap body forms a triangle. Remove all four of the perforated tab slot openings located in each corner of the trap.

3

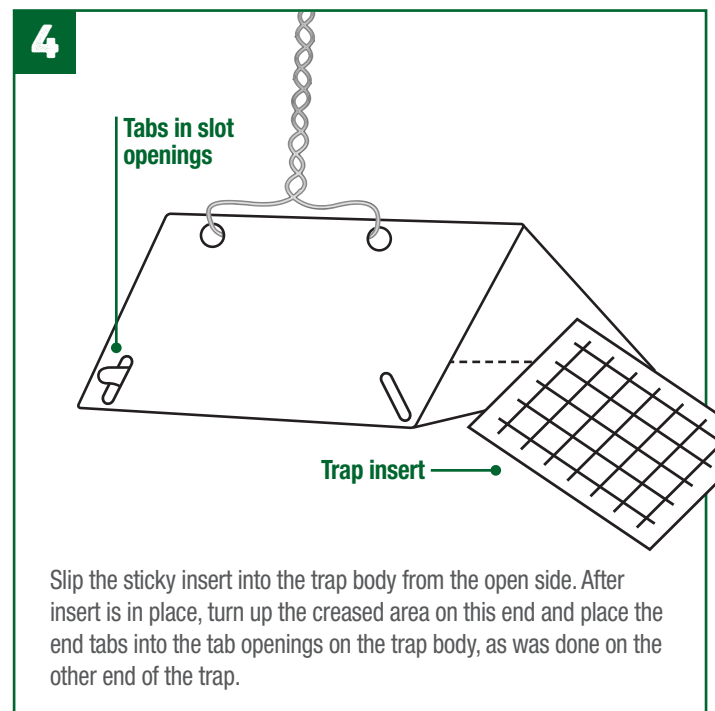


Tabs in slot openings

Fold the end off one side of the bottom of the trap upwards, following the crease.

Insert the tabs on each side of the turned up portion of the bottom, into the two tab openings located on each side of the trap body.

4



Tabs in slot openings

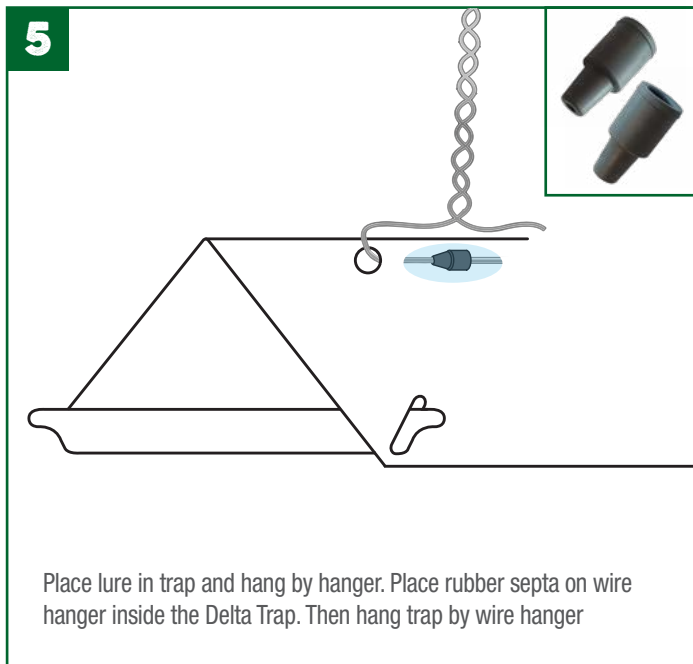
Trap insert

Slip the sticky insert into the trap body from the open side. After insert is in place, turn up the creased area on this end and place the end tabs into the tab openings on the trap body, as was done on the other end of the trap.

Continued —

SCENTRY LP DELTA TRAP

HOW TO ASSEMBLE THE SCENTRY LP DELTA TRAP



Rate of Application

Scentry LP Delta Traps

2-4 traps/ha or 1 trap / 500m² in greenhouse for monitoring.
Suspend the trap on a stake approximately 30 cm above the crop.

Sticky Insert

Should be replaced when necessary after crop monitoring,
depending on pest pressure.

Pheromone Septa

Should be replaced every 4-6 weeks.

Storage: Pheromone Septa

Scentry Pheromone Septa should be stored in its sealed pouch
and keep cool in a refrigerator or freezer.

Shelf life: 12-18 months

Handling

Scentry Pheromone Septa are non-hazardous/non-toxic.
It is advisable to use clean gloves when handling, so to not
contaminate the Pheromone Septa.

For more information, contact your local grochem representative

grochem.com
for all enquiries 1800 777 068